

17mm Warm Dim COB

Chip-on-Board Warm Dim Constant Current LED Module, Large LES



TABLE OF CONTENTS

Features	2
General specifications	2
Optical specifications	3
Electrical characteristics	4
Absolute maximum ratings	5
Derating	6
Mechanical characteristics	7
Accessories and design resources	8
Color binning information	9
Ordering information	10
About LUXTECH	11

Project ||

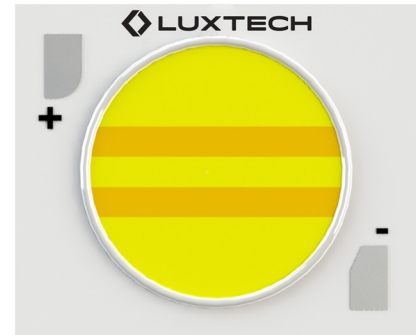
Type ||

Quantity ||

17mm Warm Dim COB

Chip-on-Board Warm Dim Constant Current LED Module, Large LES

LUXTECH COB Warm Dim matches the halogen dimming curve, providing a comfortable warm glow as brightness decreases. It works with standard dimmable drivers and eliminates the need for complex controls. COB Warm Dim maintains 90+ CRI throughout the dimming range. The larger LES provides more light and less glare for downlight applications



FEATURES

- » 5-Year Warranty
- » Chip-on-board module
- » Ceramic substrate
- » Mimics halogen dimming with constant current reduction dimmers and drivers
- » Works with standard 0-10V, ELV, and TRIAC drivers
- » Constant Current Input
- » 100 lm/W
- » CCT Range: 3000K-1800K
- » 3-step MacAdam Binning
- » 90 CRI Standard throughout the dimming curve

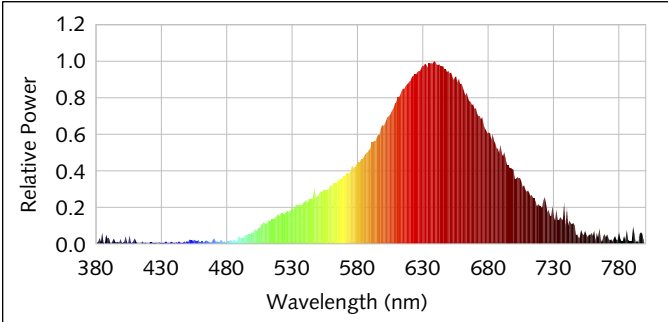
GENERAL SPECIFICATIONS

- » Forward Voltage: 36 V +/- 3.5V
- » Nominal 3600 lm at 950mA, 25°C
- » Color Rendering Index: 90+ throughout dimming range
- » L70 = 36,000 Hrs (Calculated, Ts = 105°C, 950 mA)
- » 17mm Diameter Light Emitting Surface
- » Board Size: 24mm x 20mm

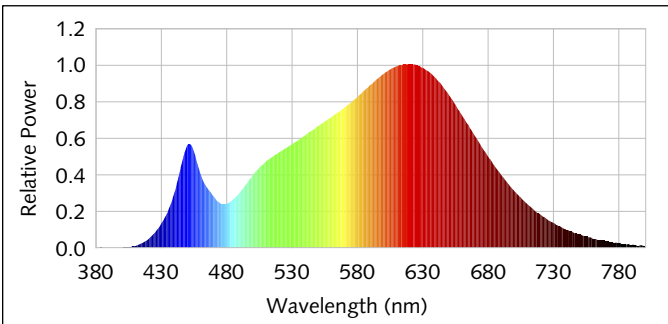
OPTICAL SPECIFICATIONS

SPECTRAL POWER DISTRIBUTION, WHITE

1800K 3-STEP



3000K 3-STEP



Project ||

Type ||

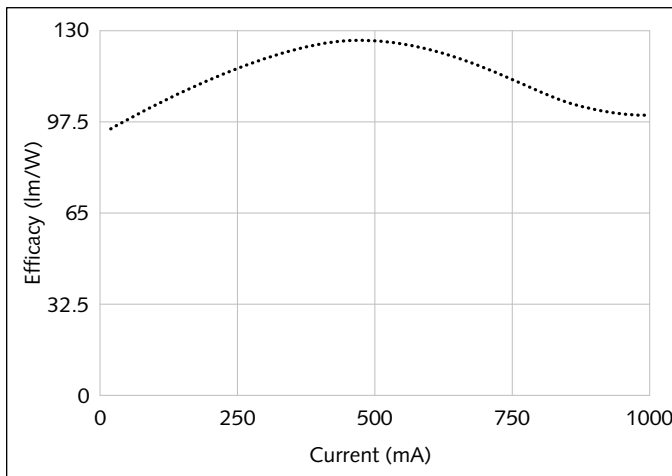
Quantity ||

ELECTRICAL CHARACTERISTICS

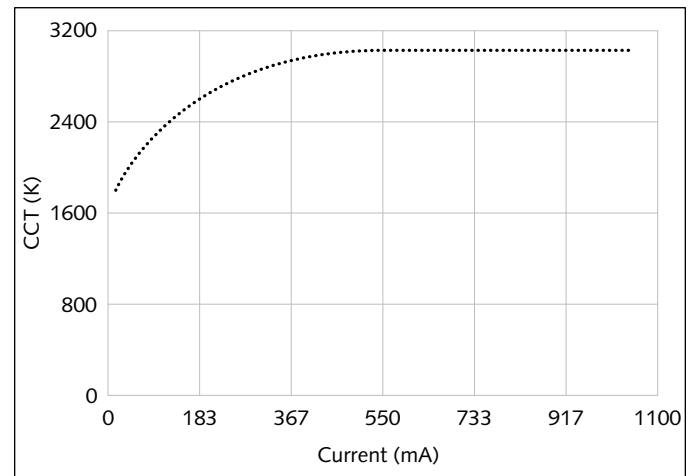
Assuming 25°C

Current (mA)	10	100	350	650	950	1050
Voltage (V)	26.2	30.5	32	33.2	34.5	35
CCT (K)	1800	2350	2920	3000	3000	3000
Flux (lm)	25	320	1400	2600	3600	3725

EFFICACY VS. CURRENT



CCT VS. CURRENT



Project ||

Type ||

Quantity ||

ABSOLUTE MAXIMUM RATINGS

WHITE	
Current (mA)	1050
Voltage (V)	35
CCT (K)	3000
Flux (lm)	3725
Temperature (°C)	105

Project ||

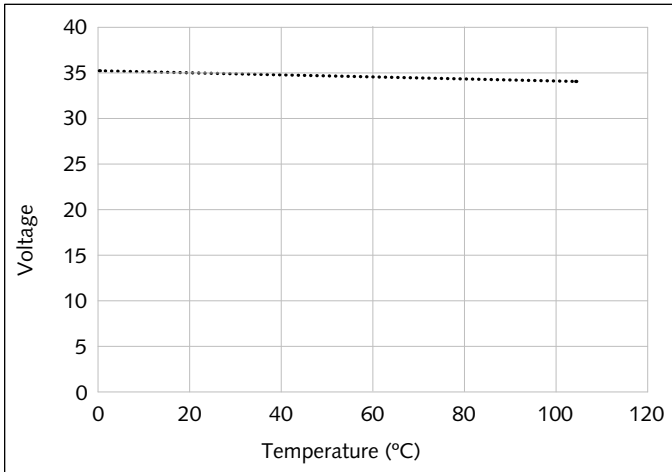
Type ||

Quantity ||

DERATING

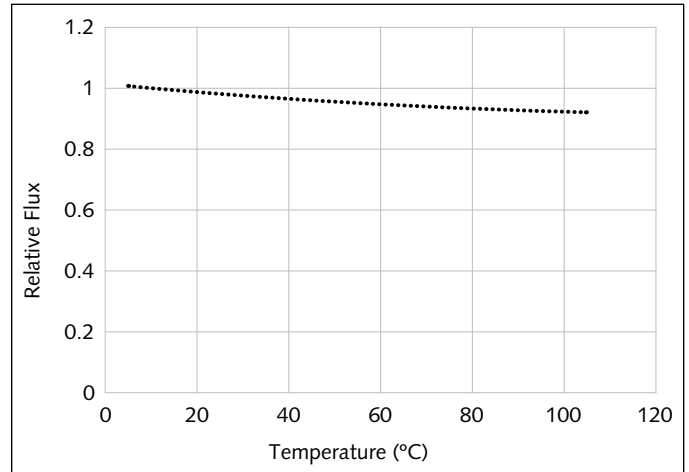
VOLTAGE VS. TEMPERATURE

WHITE



FLUX VS. TEMPERATURE

WHITE



Project ||

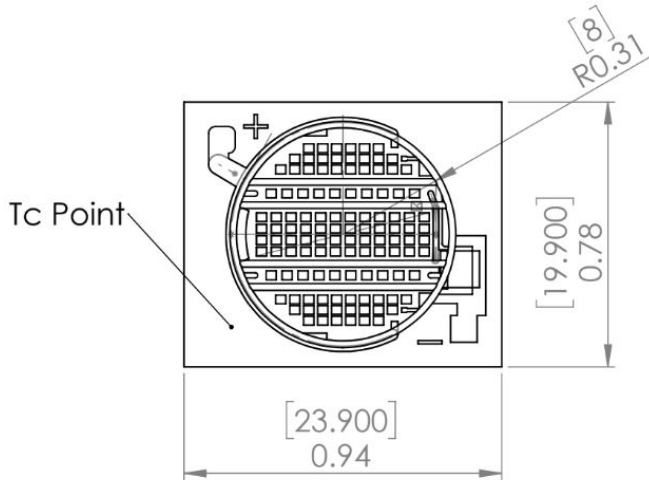
Type ||

Quantity ||

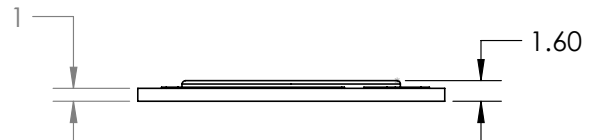
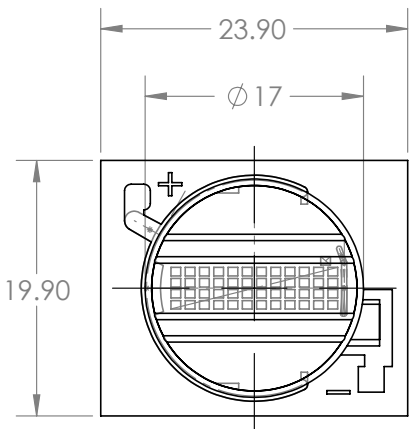
MECHANICAL CHARACTERISTICS

TECHNICAL DRAWING

Units: Inches [mm]



Units: mm



PRODUCT DIMENSIONS

PARAMETER	SPECIFICATION (IN)
Length	0.941
Width	0.786
Thickness	0.063

ACCESSORIES AND DESIGN RESOURCES

DRIVER SELECTION

Works with any Constant Current Reduction dimmer and compatible driver rated for the module's forward voltage. Recommended for use with the following drivers:

RECOMMENDED BRANDS	MODEL	DIMMING
AC Electronics	AC-15CT350AFS	TRIAC
EldoLED	SoloDrive 261/S	0-10V

DIMMER SELECTION

RECOMMENDED BRANDS	MODEL	DIMMING
Lutron	MACL-153M	TRIAC

HOLDER SELECTION

RECOMMENDED BRANDS	MODEL
BJB	47.319.2011.50

Design resources: CAD files available at LUXTECH.com

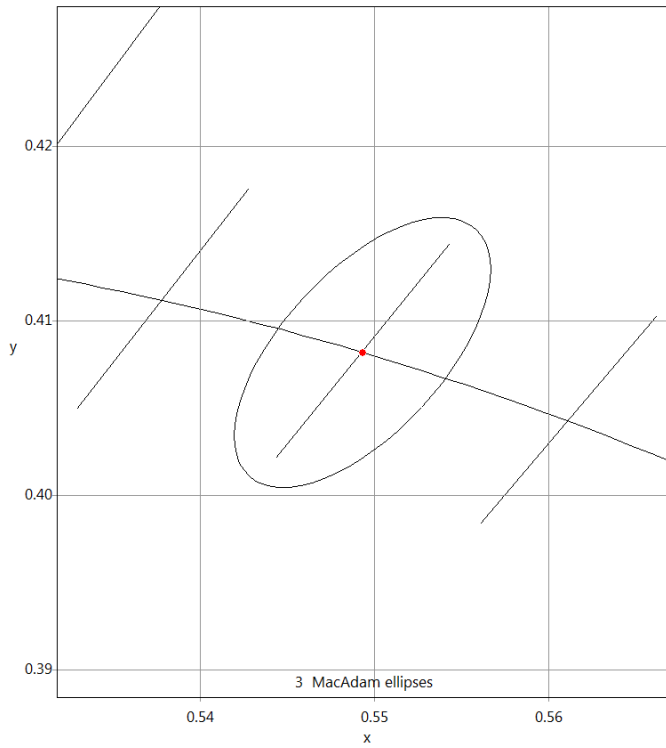
Project ||

Type ||

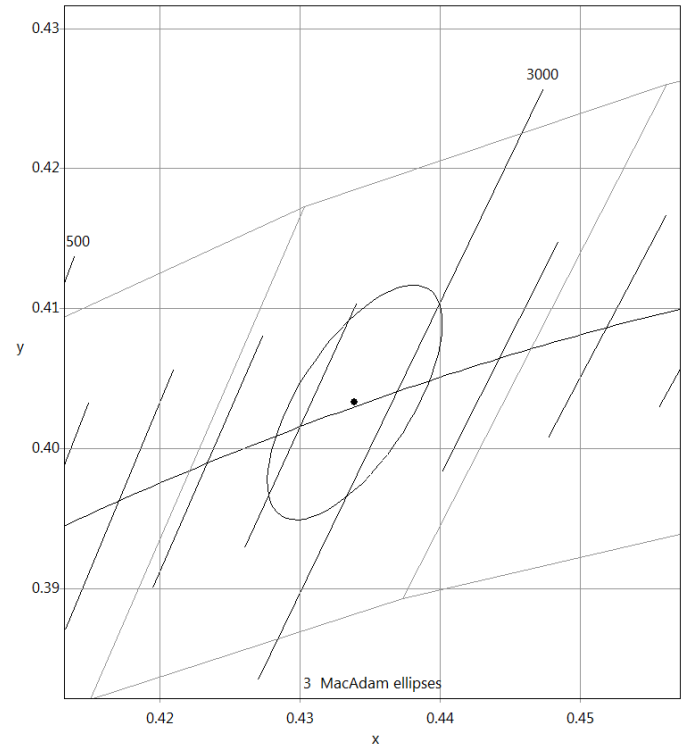
Quantity ||

COLOR BINNING INFORMATION

1800K 3-STEP



3000K 3-STEP



Project ||

Type ||

Quantity ||

ORDERING INFORMATION

PRODUCT CODES

PRODUCT	LES DIAMETER	CCT COOL	CCT WARM	CRI
COB-WD	10	30K	18K	90
	17			

EXAMPLE: COB-WD-17-30K-18K-90

REV. 1.2



People Centric Lighting

ABOUT LUXTECH

LUXTECH is an LED component design and manufacturing company specializing in high quality LED modules and architectural grade lighting solutions. LUXTECH is a catalyst for health and well-being through human centric lighting systems. Our inventive custom engineering for natural lighting is advancing emotional wellness and productivity with the potential for global social impact. LUXTECH is located in Philadelphia's Old City neighborhood.

a 325 Chestnut St. Suite 1212,
Philadelphia, PA 19106

e info@luxtech.com

w www.luxtech.com

p 215-494-3330

f 215-494-1074

in   @LUXTECHLED